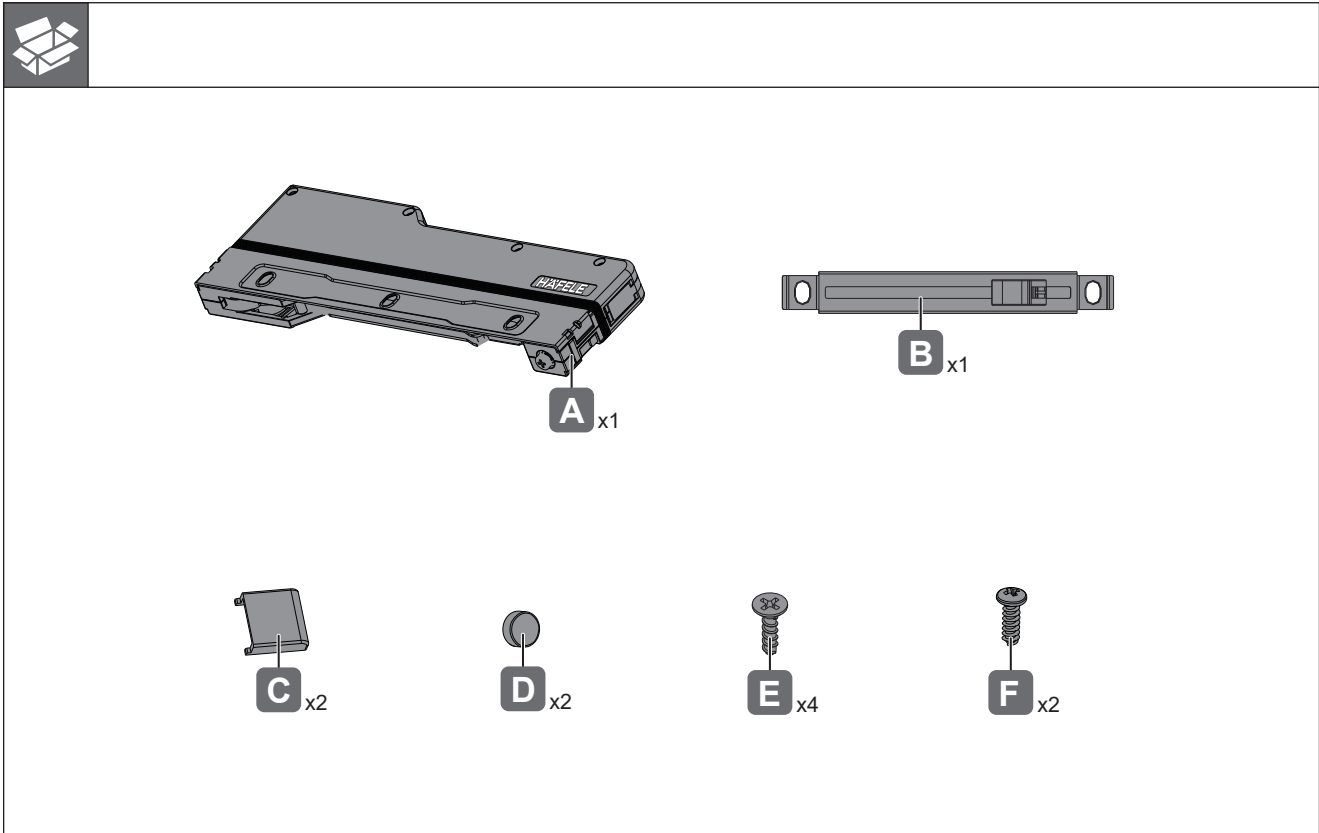




One Touch Push Opening and Soft Closing Door System Installation Manual


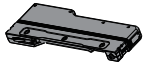
315.11.400
315.11.401
315.11.411

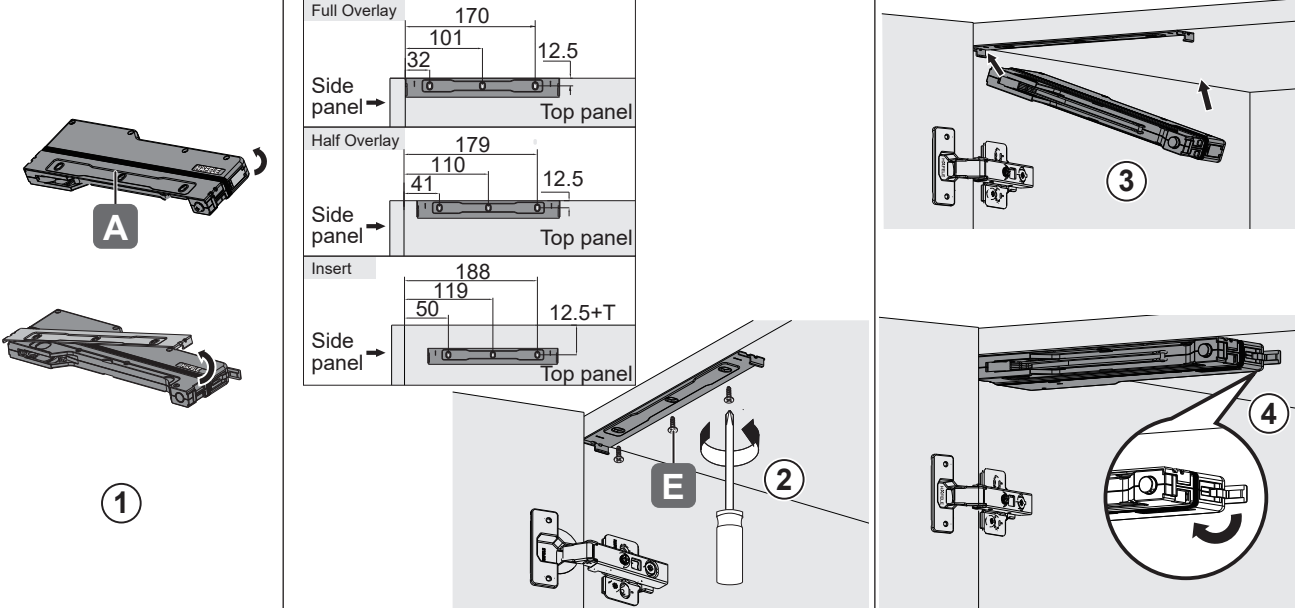


i

mm

	315.11.400	315.11.401	315.11.411
max !	≤ 7.5 Kg	≤ 20 Kg	≤ 25 Kg
H	≤ 700mm	≤ 2200mm	≤ 2800mm
W	≤ 600mm	≤ 600mm	≤ 600mm
	≤ 110°		

1   mm



A

1

Full Overlay 170
101 12.5
Side panel → Top panel

Half Overlay 179
110 12.5
Side panel → Top panel



Insert 188
119 12.5+T
Side panel → Top panel

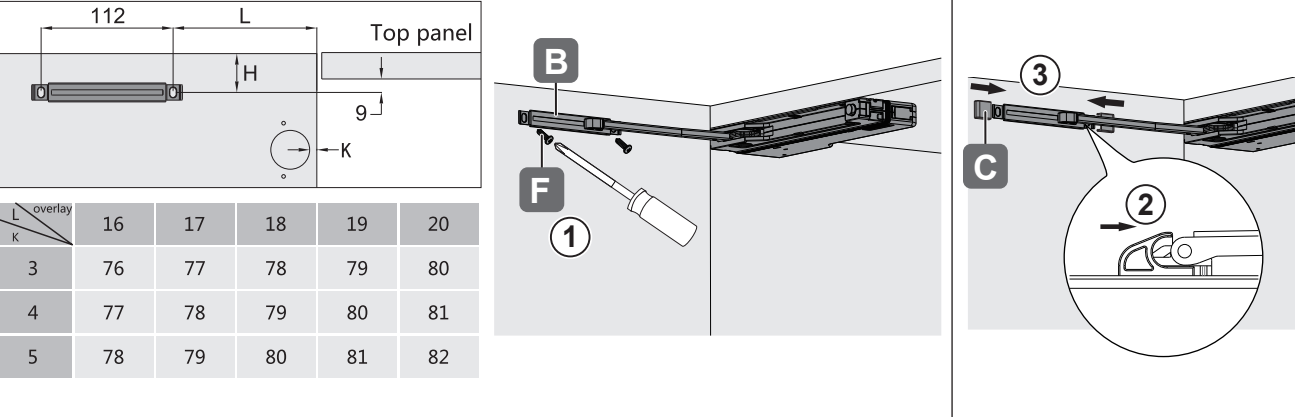
E

2

3

4

2   mm



B

F

1

2

3

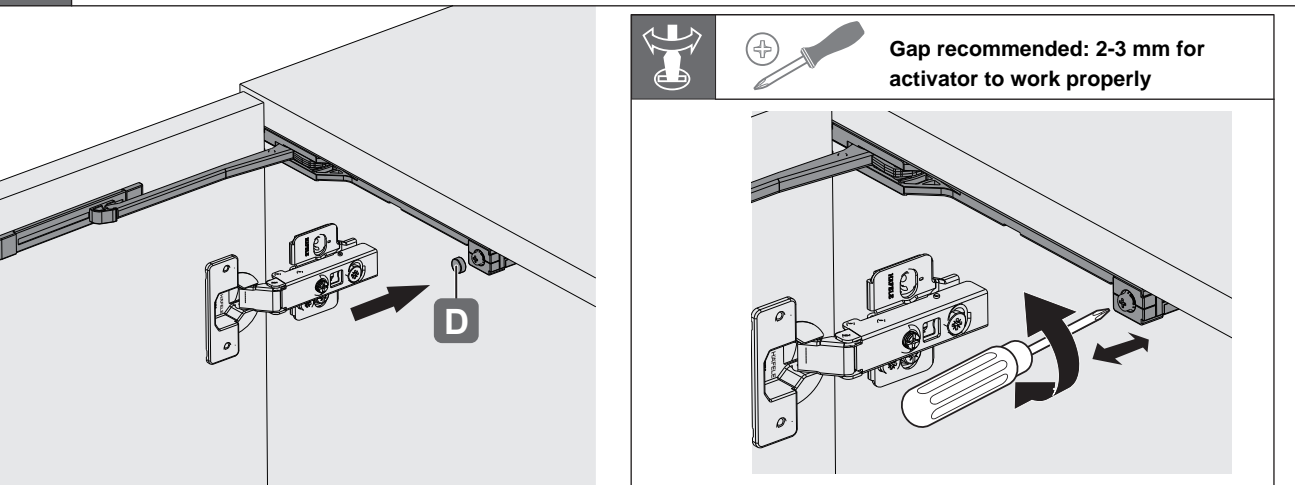
C

Top panel

112 L H 9 K

L \ overlay K	16	17	18	19	20
3	76	77	78	79	80
4	77	78	79	80	81
5	78	79	80	81	82


3



D

3

2

 **Gap recommended: 2-3 mm for activator to work properly**